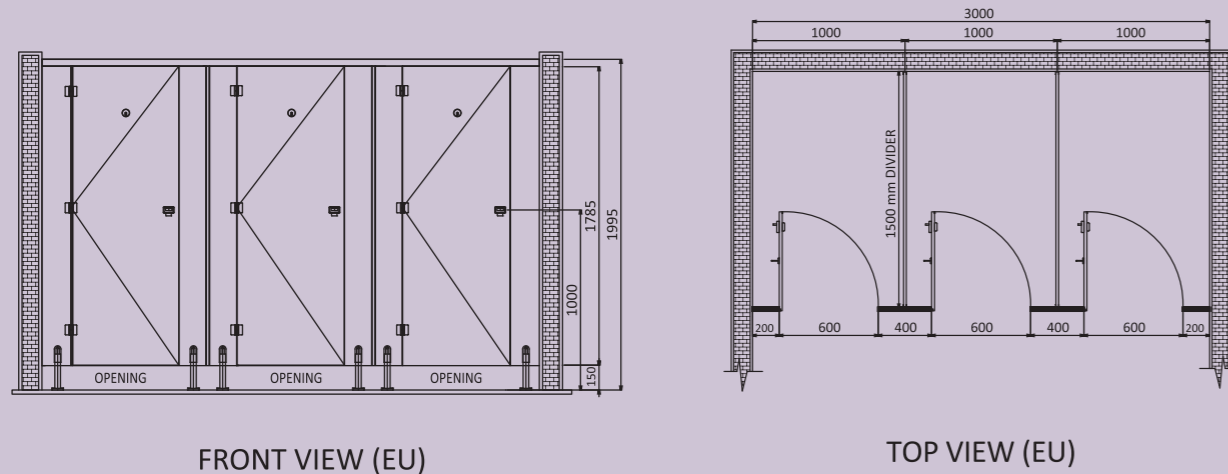


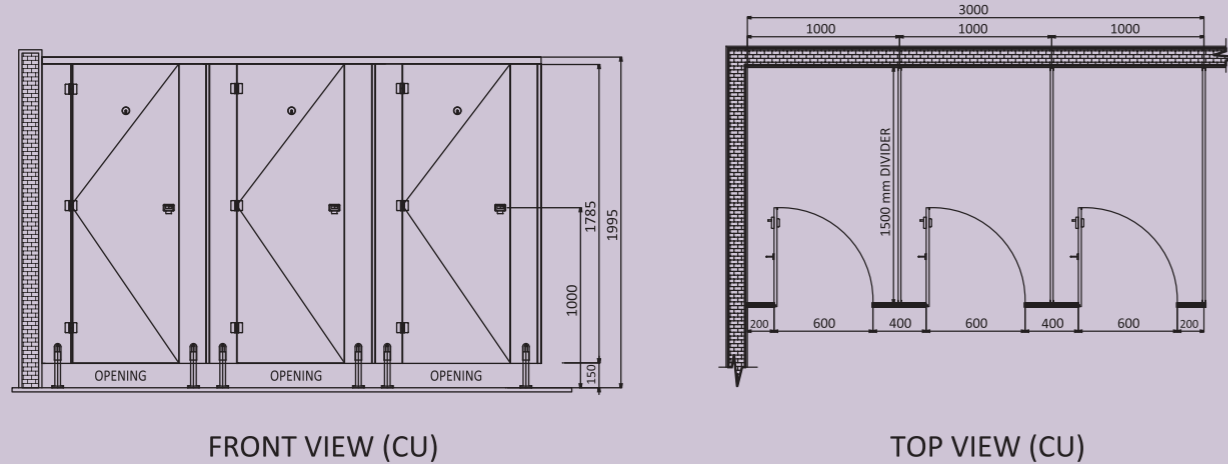
EU-ENCLOSED UNIT



FRONT VIEW (EU)

TOP VIEW (EU)

CU-CORNER UNIT



FRONT VIEW (CU)

TOP VIEW (CU)

HARDWARE FIXING DETAILS

The adjustable foot that supports the pilasters is made from corrosion resistant Aluminium and its base is anchored to the floor with nylon plug inserted into ground with stainless steel screws. There is a ground clearance of 150 mm. Aluminum U-channels are used to attach the divider panel with stainless steel (Grade 304) screw inserts to the wall as well as the mid panel. Aluminum top rail (Grade 6063-T5 Alloy) is used to fix the pilasters at the top. Door stopper channel provides the non-rebating doors and connecting panels with extra ordinary look. Further the doors are incorporated with the noise deafening tape to reduce the noise effect.



HARDWARE DETAILING

Each restroom cubicle is equipped with the following set of hardware fittings:



DIMENSION DETAILING

Standard Dimensions	General (mm)	Physically Challenged (mm)
Width of cubicle	1000	1500
Depth of cubicle	1500	1750
Height of entire cubicle	1995	1995
Width of door	600	900
Height of door	1785	1785
Ground clearance	150	150