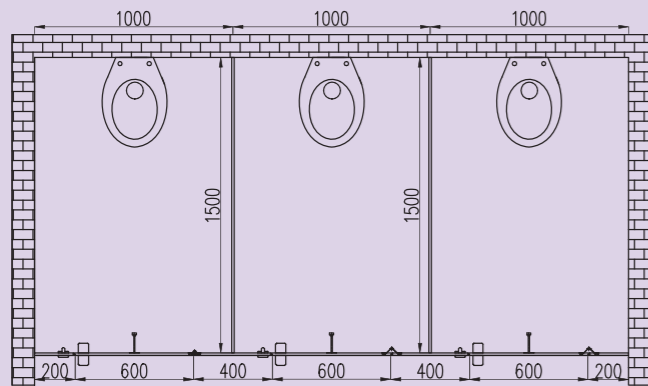
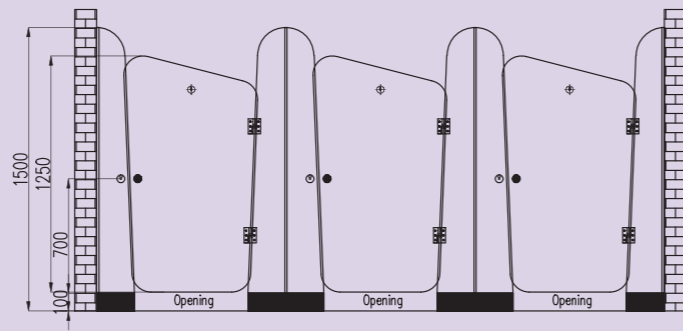


## EU-ENCLOSED UNIT

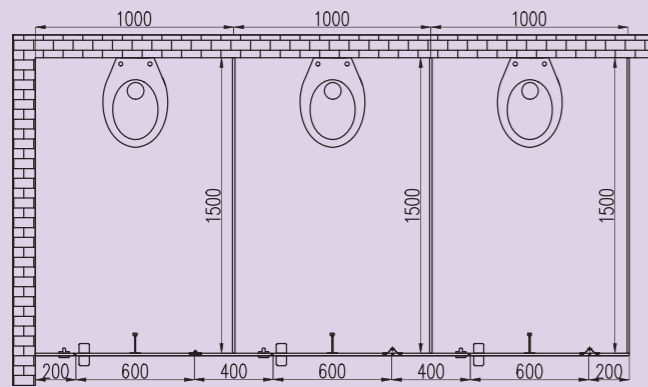


Top View

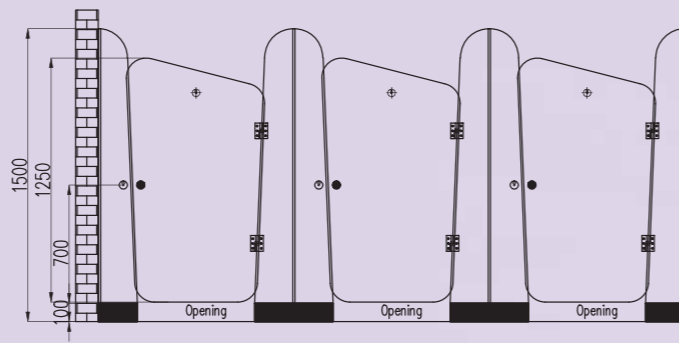


Front View

## CU-CORNER UNIT



Top View



Front View

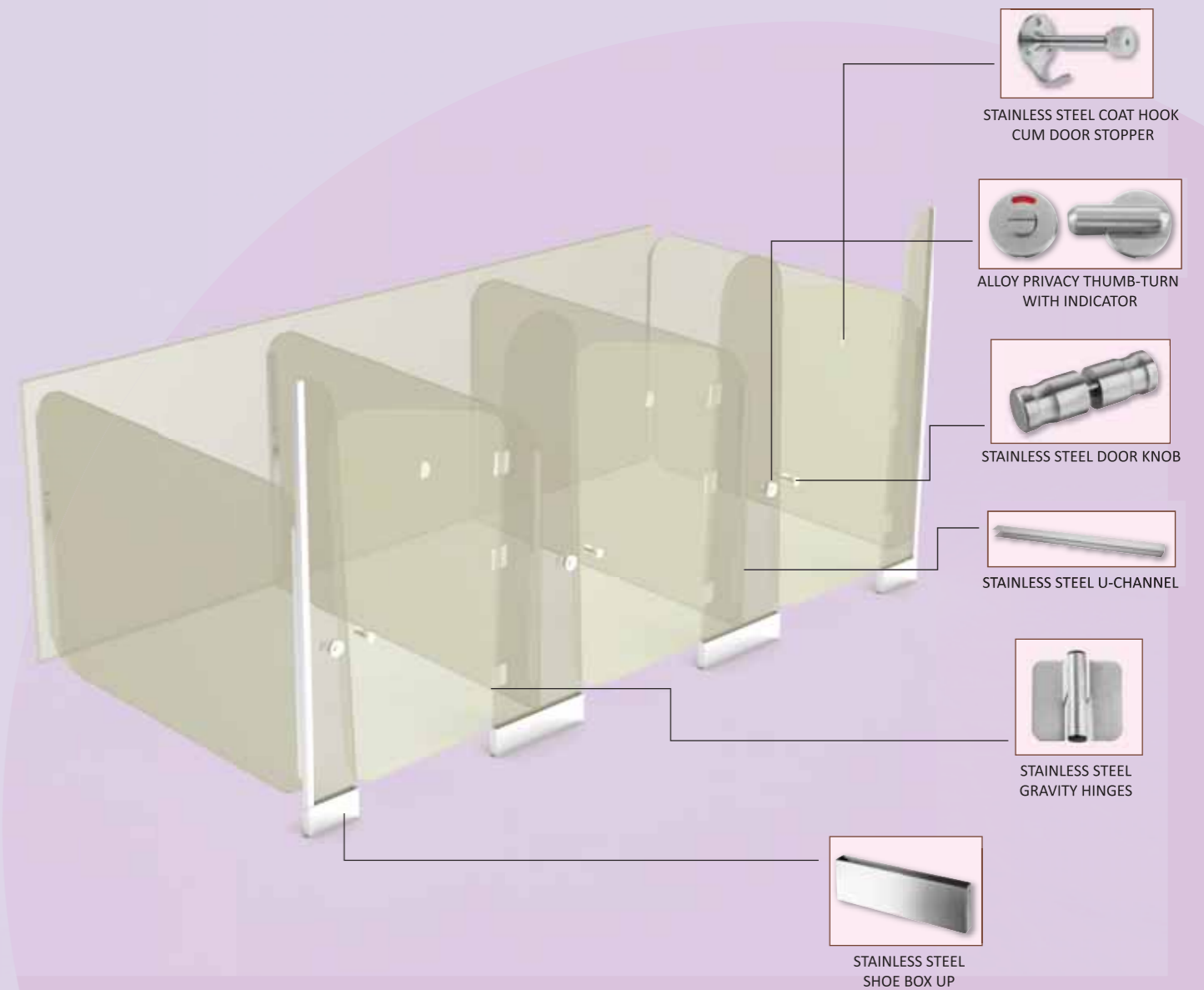
## HARDWARE FIXING DETAILS

All pilasters are supported by L- bracket with floor anchor bolt which is concealed with stainless steel flat box-up of height 100mm. The stainless steel box-up is available in SS Grade 304 and 316 options. The intermediate panels are fixed onto the wall with stainless steel (Grade-304) U- channel section and SS 304 screw insert.



## HARDWARE DETAILING

Each restroom cubicle is equipped with the following set of hardware fittings:



## DIMENSION DETAILING

Standard Dimension	General (mm)	Physically challenged (mm)
Width of Cubicle	1000	1500
Depth of cubicle	1500	1700
Height of Divider	1200	1200
Height of entire cubicle	1500	1500
Width of door	600	900
Height of door	1250	1250
Ground clearance	100	100