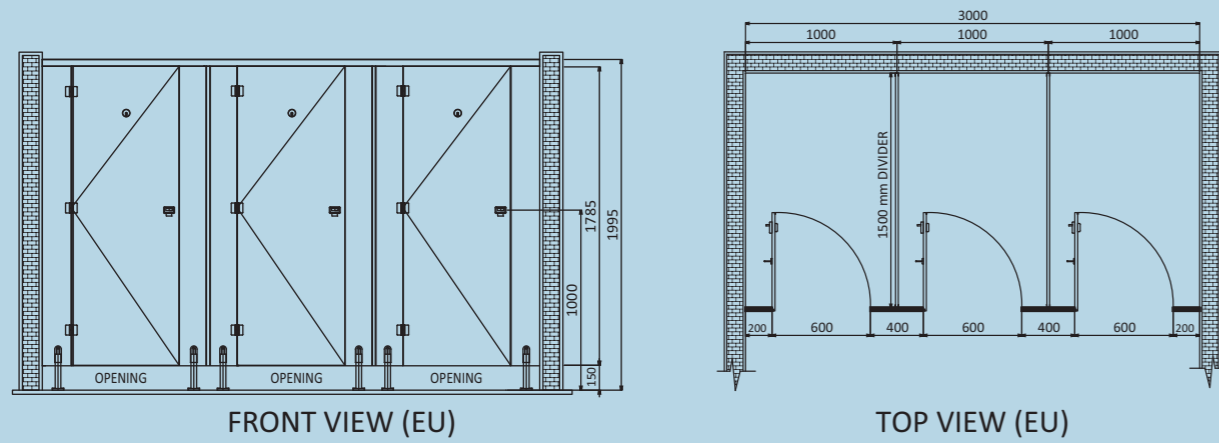
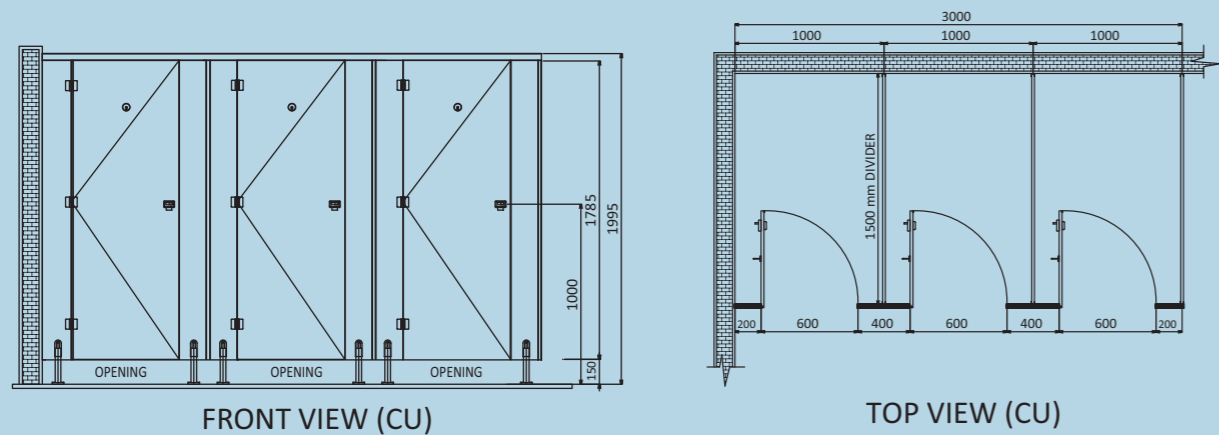


## EU-ENCLOSED UNIT

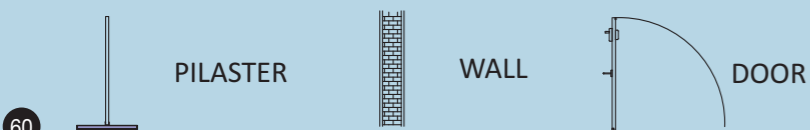


## CU-CORNER UNIT



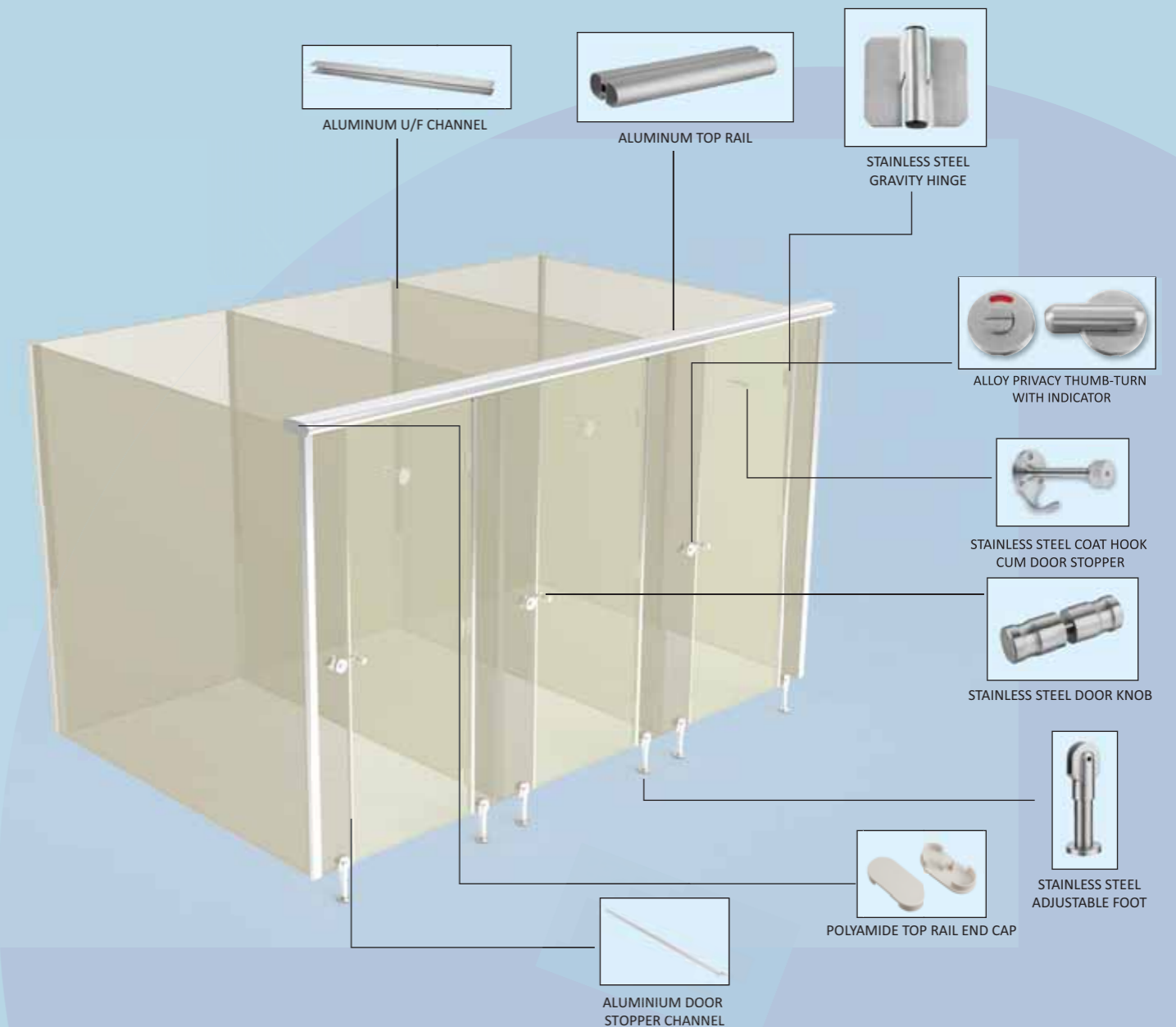
## HARDWARE FIXING DETAILS

The adjustable foot that supports the pilasters is made from stainless steel (Grade 304) and its base is anchored to the floor with nylon plug, fixed into ground with stainless steel screws. There is a ground clearance of 150 mm. Aluminum U-channels are used to attach with the divider panels to the wall as well as the mid panel with stainless steel (Grade 304) screw inserts. Aluminum top rail coated in stainless steel colour is used to fix the pilasters at the top. Doors are incorporated with the noise deafening tape to reduce the noise effect. All other fittings like hinges, coat hook, adjustable foot and lock set/latch indicator is manufactured in stainless steel



## HARDWARE DETAILING

Each restroom cubicle is equipped with the following set of hardware fittings:



## DIMENSION DETAILING

Standard Dimensions	General (mm)	Physically Challenged (mm)
Width of cubicle	1000	1500
Depth of cubicle	1500	1750
Height of entire cubicle	1995	1995
Width of door	600	900
Height of door	1785	1785
Ground clearance	150	150