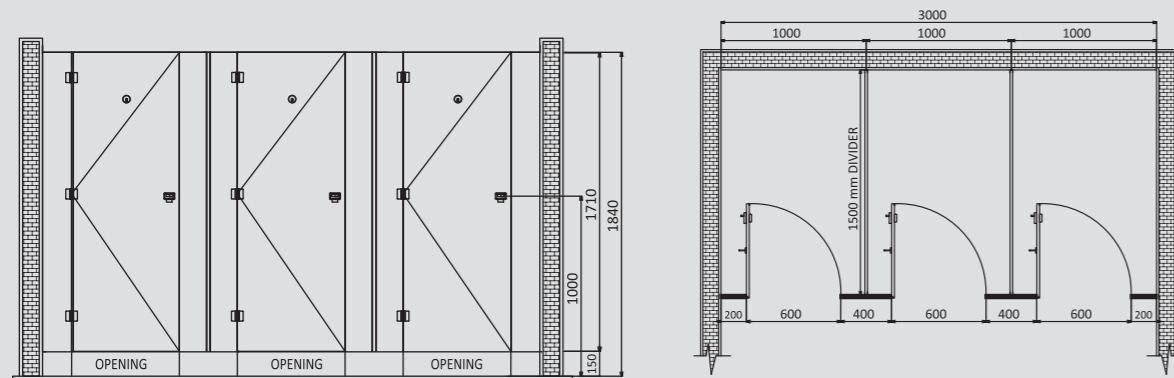


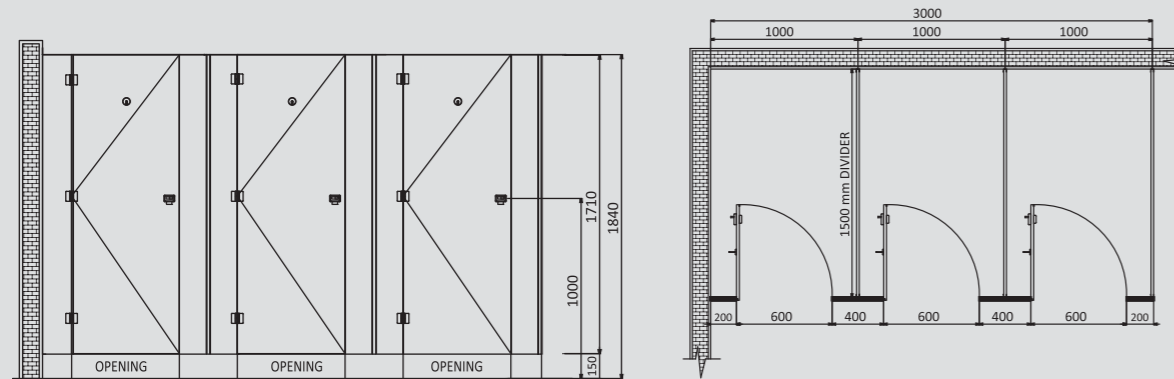
EU-ENCLOSED UNIT



FRONT VIEW (EU)

TOP VIEW (EU)

CU-CORNER UNIT

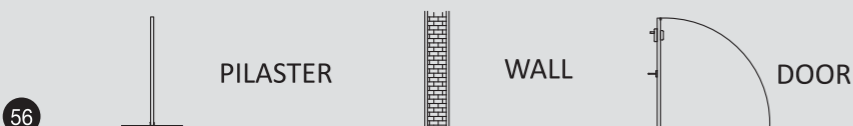


FRONT VIEW (CU)

TOP VIEW (CU)

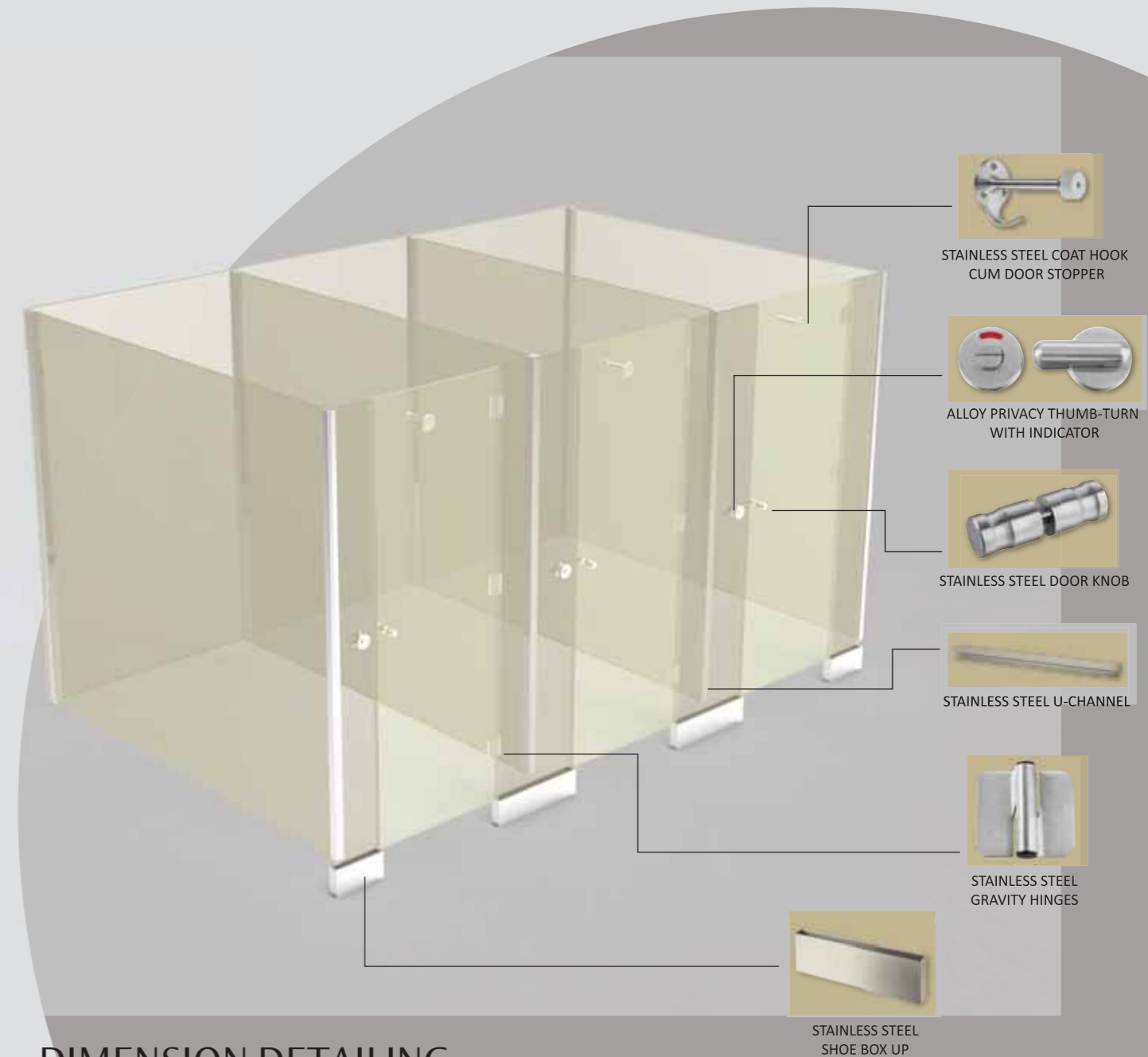
HARDWARE FIXING DETAILS

All pilasters are supported by L-bracket with floor anchor bolt which is concealed with stainless steel flat box up height of up to 110 mm. The stainless steel box up is available in SS Grade 304 and 316 options. The intermediate panels are fixed onto the wall with stainless steel (Grade 304) U-channel section and SS 304 screw inserts.



HARDWARE DETAILING

Each restroom cubicle is equipped with the following set of hardware fittings:



DIMENSION DETAILING

Standard Dimensions	General (mm)	Physically Challenged (mm)
Width of cubicle	1000	1500
Depth of cubicle	1500	1750
Height of entire cubicle	1840	1840
Width of door	600	900
Height of door	1710	1710
Ground clearance	110	110

Note:

- Only Classique's 18 mm box up series-Grandeur is available without the top rail arrangement.
- The shoe box up model and adjustable foot are available in two options-stainless steel Grade 304 and 316
- On special demand, overall height of restroom cubicle can be increased up to 2100 mm